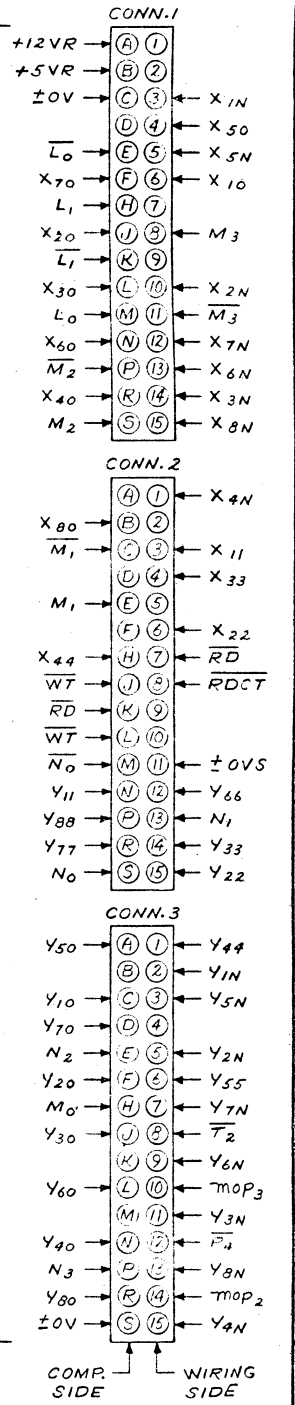
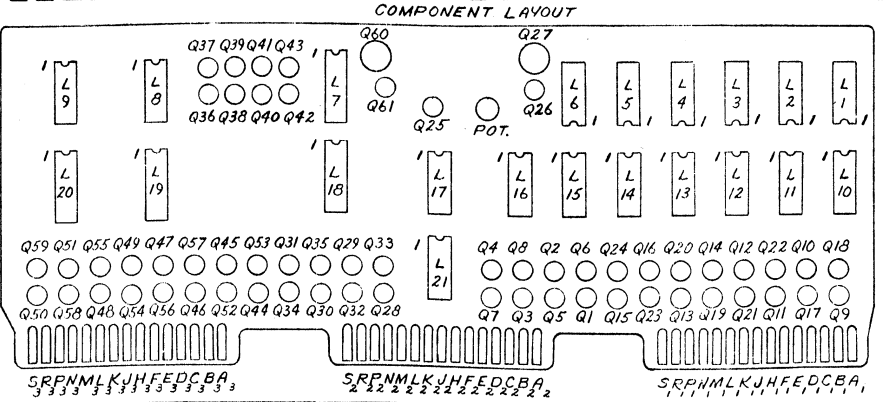


SIGNAL - TERMINAL DESIGNATIONS, VIEW FROM BOTTOM (WIRING) SIDE OF CONNECTOR



TRANSISTORS	TYPE	W.L. NO.	QTY.
Q1 THRU Q24, Q26	GT544	375-1017	58
Q25	2N3640	375-1003	1
Q27, 60	RE GT545	375-1020	2



I.C. LOCATION	TYPE	W.L. NO.	TERM FOR VCC +5V	TERM FOR ±0V	QTY
L17	SN7400N	376-0002	14	7	1
L8	SN7402N	376-0016	14	7	1
L7, 18, 19, 20	SN7405N	376-0032	15	8	4
L16, 21	SN7451N	376-0012	14	7	2
L9	SN7474N	376-0006	14	7	1
L1, 2, 3, 4, 5, 6, 10, 11, 12, 13, 14, 15	F9944	376-0024	14	7	12

IDENT QTY		NAME	MATERIAL	DESCRIPTION
		DR. F.S.C.	DATE 1/29/70	
		CHK R.F.	DATE 4-14-70	
		APPD. X.H.D.	DATE	
MODEL No. 720		W.O. No.	SCALE	SHEET OF
TITLE SCHEMATIC LOGIBLOC # 5929 (WITH P.C. 6085)		X & Y CORE DRIVER		
PART NUMBER		REV	SIZE	DRAWING NUMBER
				D 5929-1

REVISION	DATE	BY

