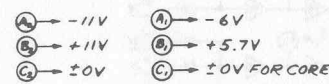
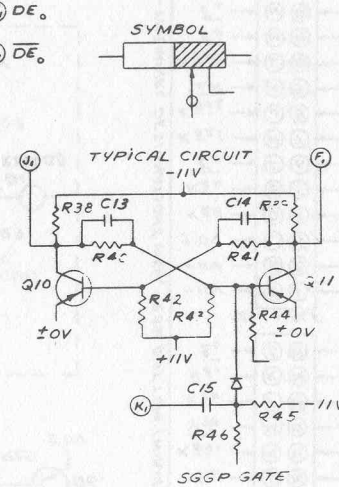
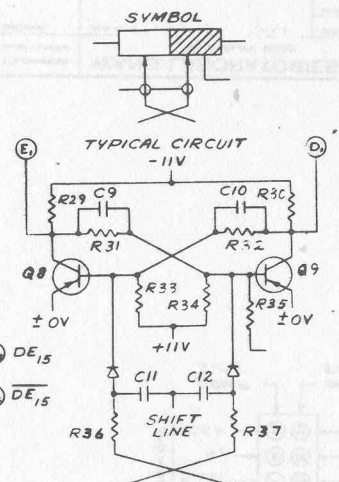
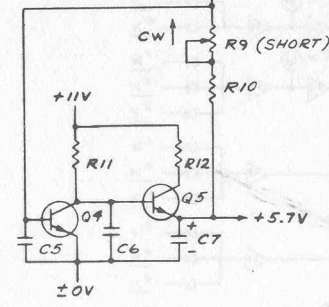


COMPONENT	QTY.	QTY.	QTY.	QTY.
R1	6.8K	1	12K	2
R2	47K	1	68K	2
R3	2.2K	1	2.2K	2
Q1	37676-2	1	37676-2	2
C1	82μmf	1	68μmf	2

NOTE: ALL DIODES FD1684 OR EQUIVALENT QTY. 21

COMPONENT	SIZE, TYPE	QTY.
R5	1.5K 2%	1
R6	390Ω	1
R7	10Ω	1
R8,10	240Ω 2%	2
R9	SHORT	
R11	150Ω	1
R12	2.7Ω 1/4W	1
R13,15,17,19,21,22,29,30,38,39	2.2K	22
R14,16,18,20,31,32,40,41	6.8K	20
R23	47K	1
R24	68K	1
R26,46	4.7K	5
R27	120K	1
R28	22K	1
R4	1K MELI.POT.	1

COMPONENT	SIZE, TYPE	QTY.
R33,34,42,43,45	47K	20
R35,44	8.2K	8
R36,37	12K	8
R25	3.3K	1
Q2, 6,7,8,9,10,11	37676-2	20
Q4,5	2N3522A	2
Q3	GT544	1
C2,3,5,6	.02μf	4
C4,7	200μf 15VWV	2
C8	680μmf	1
C9,10,13,14	82μmf	16
C11,12,15	390μmf	12
C16	47μmf	1



REVISIONS	DATE
REVISED WITH EXTENSIVE CHANGES PER MARKED PRINT REVISED PER E.C. #213	12/19/67

REVISIONS	DATE	TOLERANCES UNLESS NOTED	SCALE	DRAWN BY F.S.S.
REVISED PER E.C. #213	4/1/67	DECIMAL	SERIAL NO.	APPROVED BY
		FRACTIONAL	TITLE	
		ANGULAR	PROJECT	
			DATE	DWG NO.
			6-2-66	5476

WANG LABORATORIES INC. TEWKSBURY, MASS.

SCHMATIC LOGICLOC #513 SENSING AMPLIFIER & G STORAGE