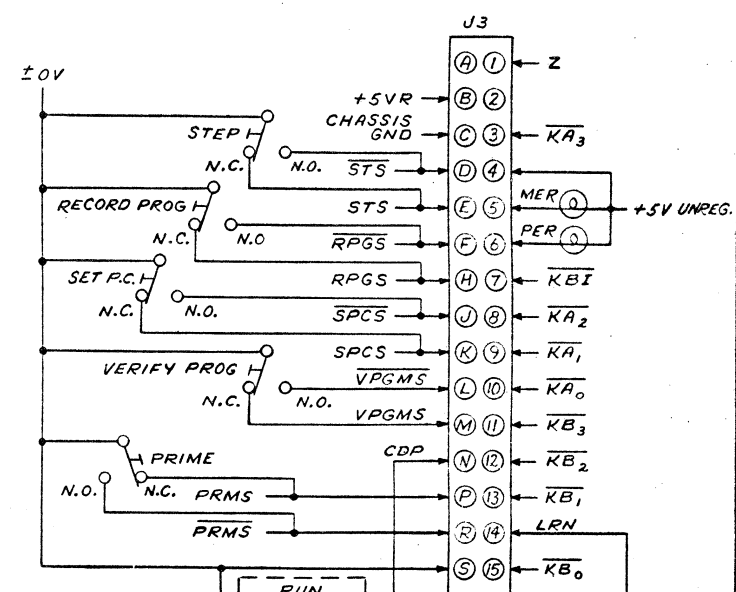
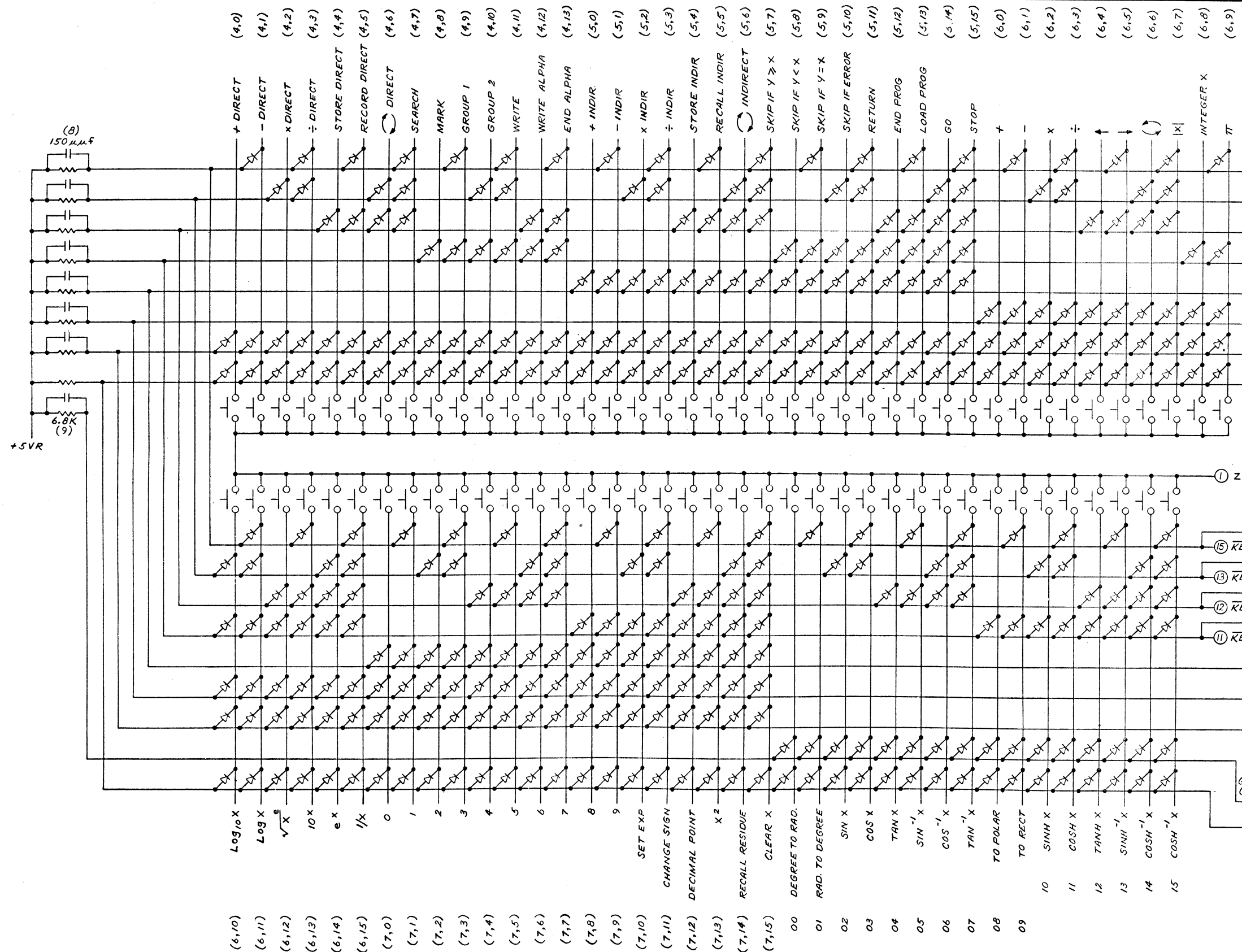
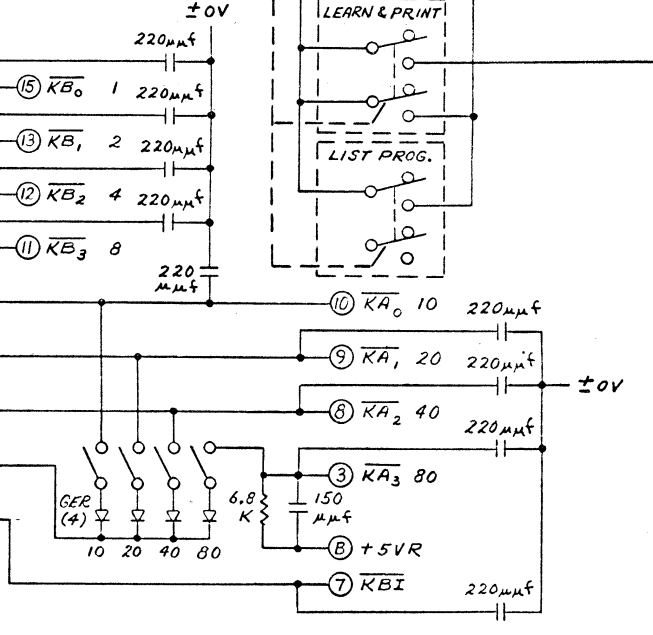
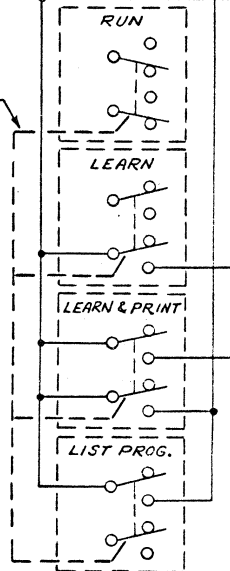


DO NOT SCALE



MECHANICAL INTERLOCK, DEPRESS AND RELEASE ONE SWITCH AT A TIME. SHOWN IN RUN.



NO	REVISION	BY	DATE
1	REVISED PER 2 F.S. 6.0.2022 APPD. JKH TJS		

TOL. EX. AS NOTED	DR. F.S.S.
.XX ±.010 ANG. ±30'	CHK RIT
.XXX ±.005 FRAC. ±1/64	APPD. S.H.H.
FINISH: ✓	DATE 1-29-70
	DATE 2-13-70

IDENT	QTY	NAME	MATERIAL	DESCRIPTION
		WANG LABORATORIES, INC.		
		TEWKSBURY, MASS. U.S.A.		
MODEL No.		W.O. No.	SCALE	SHEET OF
TITLE MODEL 700 KEYBOARD				
PART NUMBER	1	REV	SIZE	DRAWING NUMBER
	D			5937-1

D 5937-1