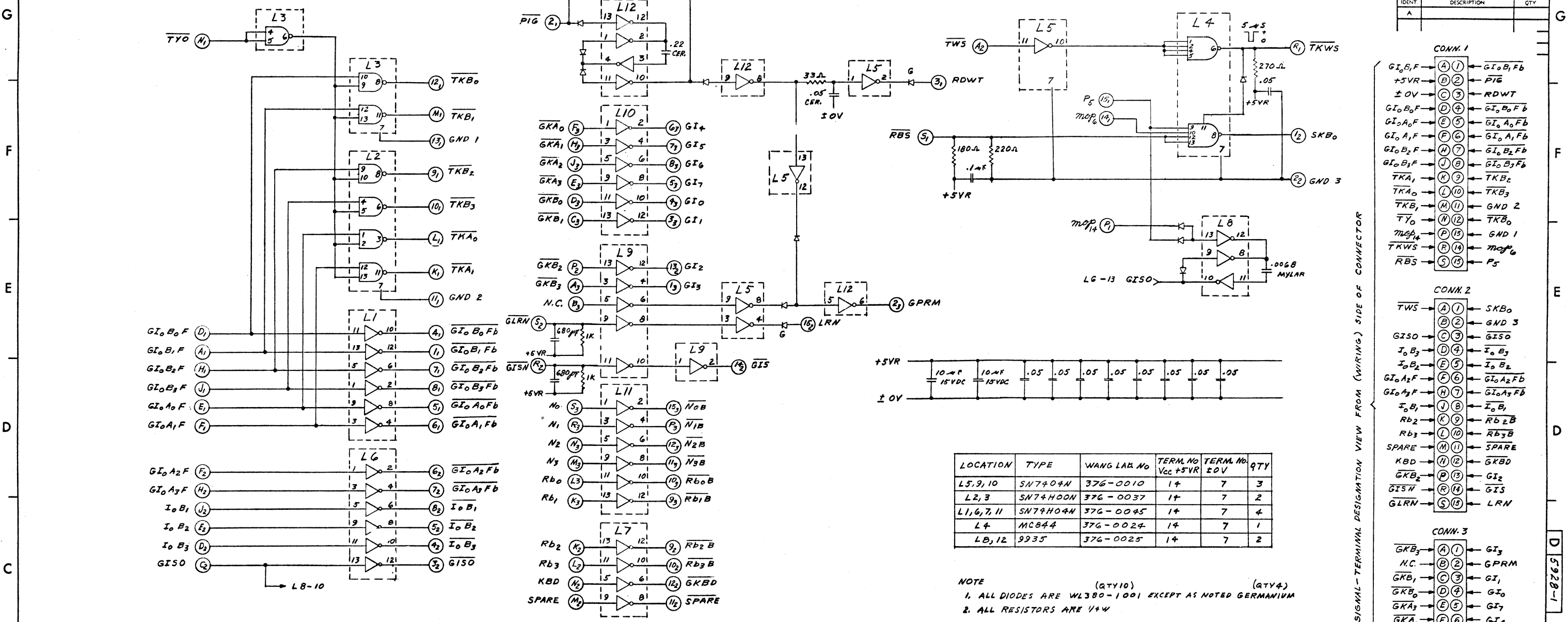


HOLE LEGEND

HOLE DIA	TOL
DRILLED OR PUNCHED HOLE	.015 to .125
TOLERANCES:	.126 to .250
	.251 to .500

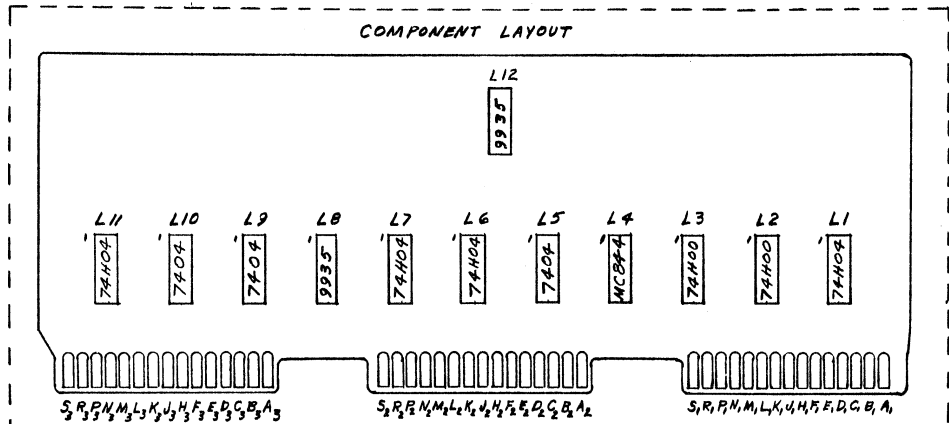


SIGNAL-TERMINAL DESIGNATION VIEW FROM (WIRING) SIDE OF CONNECTOR

CONN. 1	CONN. 2	CONN. 3
GI ₀ B ₀ F (A1)	TWS (A1)	GK _B ₃ (A1)
+5VR (B2)	GND 3 (B2)	N.C. (B2)
±0V (C3)	GISO (C3)	GK _B ₁ (C3)
GI ₀ B ₀ F (D4)	I ₀ B ₃ (D4)	GK _B ₀ (D4)
GI ₀ A ₀ F (E5)	I ₀ B ₂ (E5)	GK _A ₃ (E5)
GI ₀ A ₁ F (F6)	GI ₀ A ₂ F (F6)	GK _A ₀ (F6)
GI ₀ B ₂ F (G7)	GI ₀ A ₃ F (G7)	GK _A ₁ (G7)
GI ₀ B ₃ F (H8)	I ₀ B ₁ (H8)	GK _A ₂ (H8)
TKA ₁ (I9)	Rb ₂ (I9)	Rb ₁ (I9)
TKA ₀ (J10)	Rb ₃ (J10)	Rb ₀ (J10)
TKB ₁ (K11)	SPARE (K11)	N ₃ (K11)
TYO (L12)	GK _B ₂ (L12)	N ₂ (L12)
MOP ₁₄ (M13)	GISN (L14)	N ₁ (M13)
TKWS (N14)	GLRN (M15)	N ₀ (N14)
RBS (O15)		

LOCATION	TYPE	WANG LAB NO	TERM. NO Vcc +5VR	TERM. NO ±0V	QTY
L5,9,10	SN7404N	376-0010	14	7	3
L2,3	SN7400N	376-0037	14	7	2
L1,6,7,11	SN74H04N	376-0045	14	7	4
L4	MCB44	376-0024	14	7	1
LB,12	9935	376-0025	14	7	2

NOTE (QTY10) (QTY4)
 1. ALL DIODES ARE WL380-1001 EXCEPT AS NOTED GERMANIUM
 2. ALL RESISTORS ARE 1/4W



NO	REVISION	BY	DATE	DESCRIPTION
1	PER ECR 7483 ADDED 1K RESISTOR ANGCBOPT CHIP FROM PIN 9, 10, 14, 15, 16, 17 ADDED 1K RESISTOR AND 680PF CAP FROM PIN 11, 12 TO 15V REVISION #1495	RJT	4-11-70	
2	RENAME DIODE FROM L4 PIN B PER ECR #1658 ADDED 2.2K 5% RES TO PIN (GND) AND CHANGED 2.2K TO 1K. APR - RJT	RJT	4-23-70	
3	PER ECR #1732 DELETED L8 AND L2. ADDED 270 Ω RESISTOR APR RJT	RJT	5-27-70	

WANG PART NO.	ITEM	QTY.	NAME	MATERIAL	DESCRIPTION
	FIRST USED ON	ASSY USED ON			
			WANG LABORATORIES, INC. TEWKSBURY, MASS. U.S.A.		
MATERIAL		MODEL NO.		E. C. CONTROL	
FINISH		SEE ENGRG SPECIFICATIONS		MFG ENGR	
		TOL. EX. AS NOTED XX ±.010 FRAC. ± 1/64 XXX ±.005 ANG. ± 1'30" FINISH		D 5928-1	
SCALE	SHT	OF	WANG PART NUMBER	SIZE	DRAWING NUMBER